

Titan™ Crane Bodies



Titan™ Advantages

At Auto Crane®, we engineer, design and manufacture a comprehensive line of truck-mounted electric and hydraulic cranes, crane bodies, crane control technologies, and accessories. Our name and products are recognized and used the world over, serving industrial markets such as the energy, mining, construction, forestry, and railroad industries. Auto Crane is an American brand and is still proudly made *in the USA*.

Flush-mounted LED lights
Better visibility and versatility

Slam-able tailgate
Easy to close from the ground



Over-sized workbench bumper with integrated step

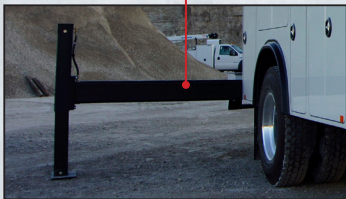
Maximizes safety when climbing into bed

Pass-through bumper compartment

Better utilization of space

Hydraulic down and out outriggers

Provides 100% stability on side lifts with only rear outriggers

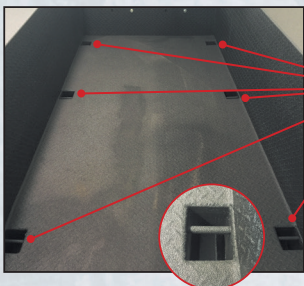


Engineered system: Crane, body, and outriggers

Improves safety and productivity

Integrated tie-downs recessed in body

Easier to secure items in the bed

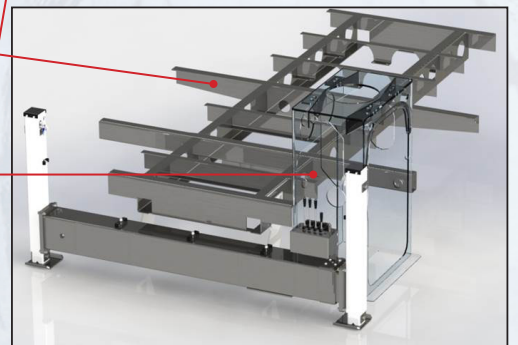


Interlocking sub-frame system

Adds strength yet reduces weight for added payload

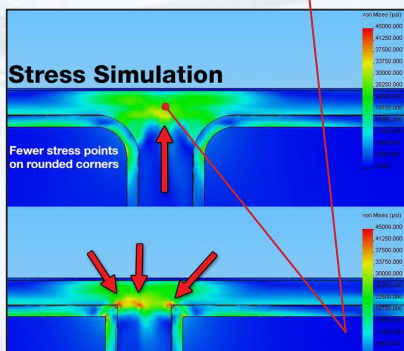
Integrated crane box

Reduces stress on chassis and body while providing additional storage



10-gauge Galvanneal
 Lower total cost of ownership
One-piece side pack
 Longer life and performance
 due to fewer weld seams

Call our sales team at 1-800-777-2760
 or fill-out the online contact form and we'll
 help answer your questions and select a
 suitable crane and body for your application.



Rounded corner openings and doors
 Prevents cracking and extends body life



3-point latch system
 Improved security and safety

LED compartment lighting
 Better nighttime visibility

Robust internal stainless steel hinges
 Maximizes performance and life

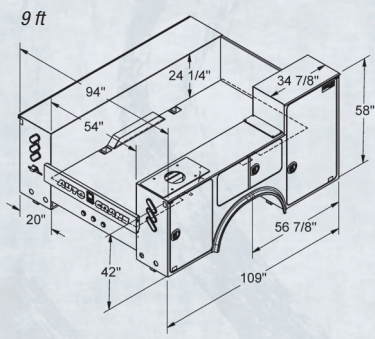
Laser-cut openings
 Promotes a premium brand image
 and provides ideal decal display

10-gauge double-panel ridged doors
 Better durability and longer life

Weather-tight automotive seals
 Better protection for equipment

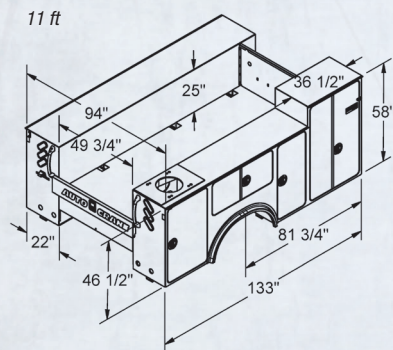
Chassis - Body - Crane Application

Make	Model	Body	Crane Application													
			EC-2/2x	EHC-32	EHC-4	EHC-5	EHC-6	HC-6	HC-7/7x	HC-8/8x	8406H	HC-9	HC-10/12s	HC-12	HC-14	
Ford	F350	Titan 16	X	X	X											
	F450	Titan 38	X	X	X	X	X	X	X	X						
	F550	Titan 38	X	X	X	X	X	X	X	X						
	F650	Titan 50				X	X	X	X	X	X					
		Titan 60											X	X		
	F750	Titan 60											X	X		
		Titan 85												X	X	
Chevy	4500 HD	Titan 38	X	X	X	X	X	X	X	X						
	5500 HD	Titan 38	X	X	X	X	X	X	X	X						
	6500 HD	Titan 38	X	X	X	X	X	X	X	X						
RAM	3500	Titan 16	X	X	X											
	4500	Titan 38	X	X	X	X	X	X	X	X						
	5500	Titan 38	X	X	X	X	X	X	X	X						
International	Terra Star	Titan 38	X	X	X	X	X	X	X	X						
	Dura Star 4100	Titan 38	X	X	X	X	X	X	X	X						
		Titan 50				X	X	X	X	X	X					
		Titan 60											X	X		
	Titan 85													X	X	
Kenworth	T170	Titan 38	X	X	X	X	X	X	X	X						
	T270	Titan 50				X	X	X	X	X	X					
		Titan 60											X	X		
T370	Titan 85													X	X	
Freightliner	M2-106	Titan 38	X	X	X	X	X	X	X	X						
		Titan 50				X	X	X	X	X	X					
		Titan 60											X	X		
		Titan 85													X	X
		Titan 85													X	X
Peterbilt	330-335	Titan 85												X	X	
	340-389	Titan 85												X	X	
Crane Body		Titan 16	X	X	X											
		Titan 38	X	X	X	X	X	X	X	X						
		Titan 50				X	X	X	X	X	X					
		Titan 60											X	X		
		Titan 85													X	X



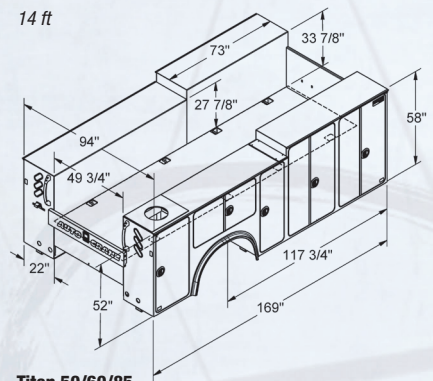
Titan 16
Available in:

- 9 ft and 11 ft body lengths
- Left Side Tall, Both Sides Tall, Both Sides Standard
- Right Side Crane and Left Side Crane



Titan 38
Available in:

- 9 ft and 11 ft body lengths
- Left Side Tall, Both Sides Tall, Both Sides Standard
- Right Side Crane and Left Side Crane



Titan 50/60/85
Available in:

- 11 ft and 14 ft body lengths
- 52 in & 58 in tall side-packs (11 ft bodies)
- Both Sides Tall (14 ft bodies)
- Right Side Crane and Left Side Crane

